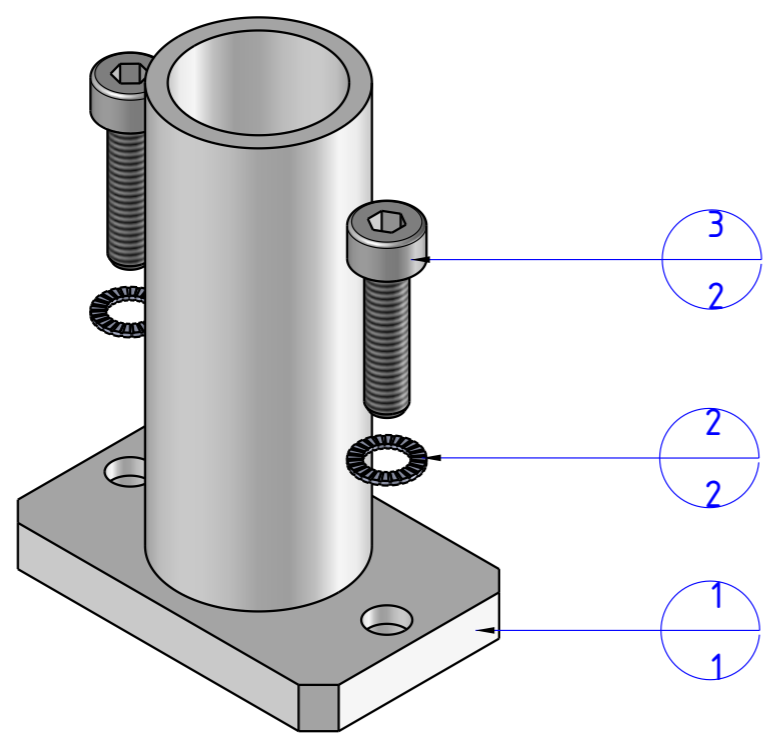
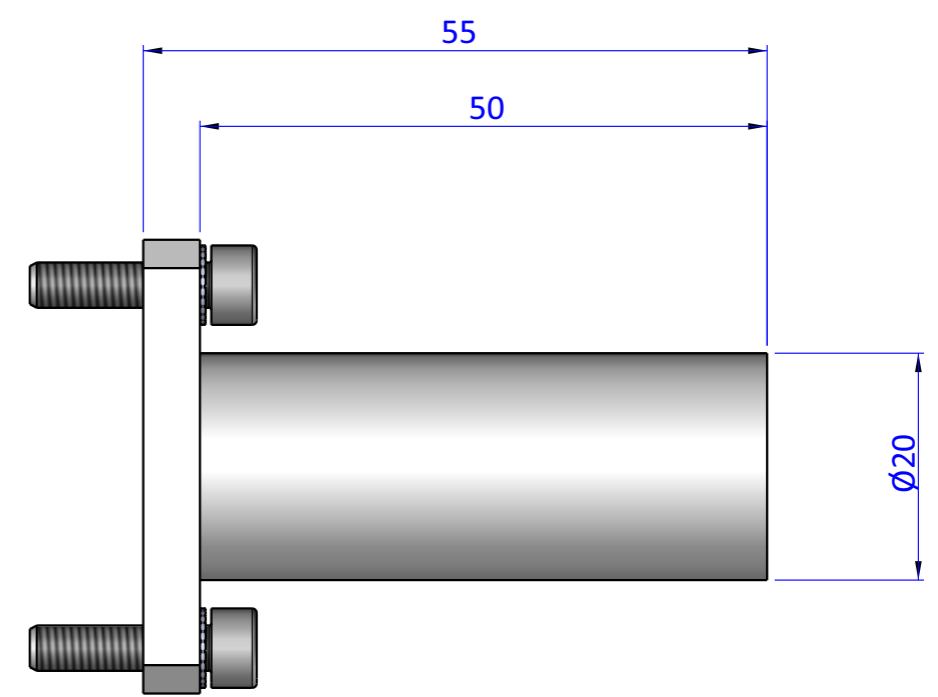
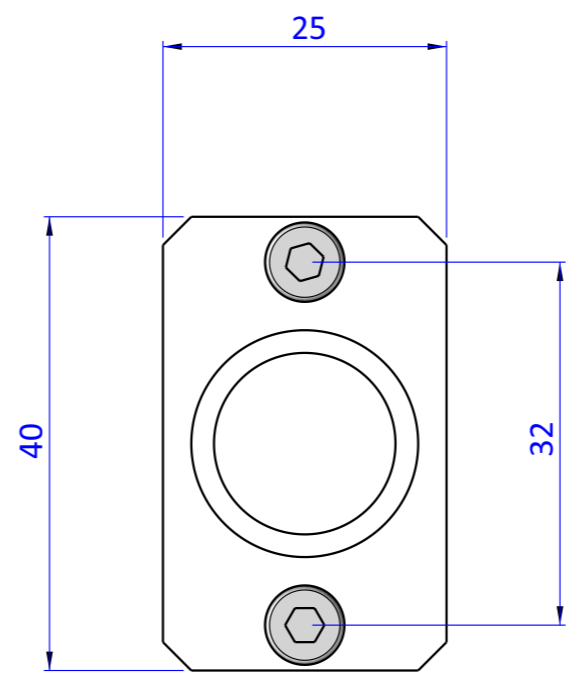



THE PROPERTY OF THE DRAWING IS ESTABLISHED BY LAW. IT IS FORBIDDEN TO PRODUCE OR SHOW IT TO THIRD PART. WITHOUT A WRITTEN AGREEMENT.

| Item | Name         | Q.ty |
|------|--------------|------|
| 1    | APG.40.20.50 | 1    |
| 2    | R.4.SCH      | 2    |
| 3    | V.TCE4x16    | 2    |



Format A3  
UNI 936-76

|  |                                       |  |                                |                    |
|--|---------------------------------------|--|--------------------------------|--------------------|
| <br>FPS SERVICES AUTOMATION |                                       | DESIGNED FROM<br><b>FPS Automation</b> |                                | REVIEW<br><b>A</b> |
|  |                                       | DATE<br>09/09/2020                     | WEIGHT<br>0,030kg              |                    |
| GENERAL TOLERANCE<br>UNI - ISO 2768<br>CLASSE f  | DESCRIPTION<br><b>CA.APG.40.20.50</b> |  | CODE<br><b>CA.APG.40.20.50</b> |                    |